



AABENRAA MOTORFABRIK

Heinrich Callesen A/S
Næstmark 30, DK-6200 Aabenraa – Denmark
Tel: +45 74 62 20 88
Fax +45 74 62 74 07
E-mail: bukh@bukh.dk – Internet: www.bukh.dk

Publ. No.

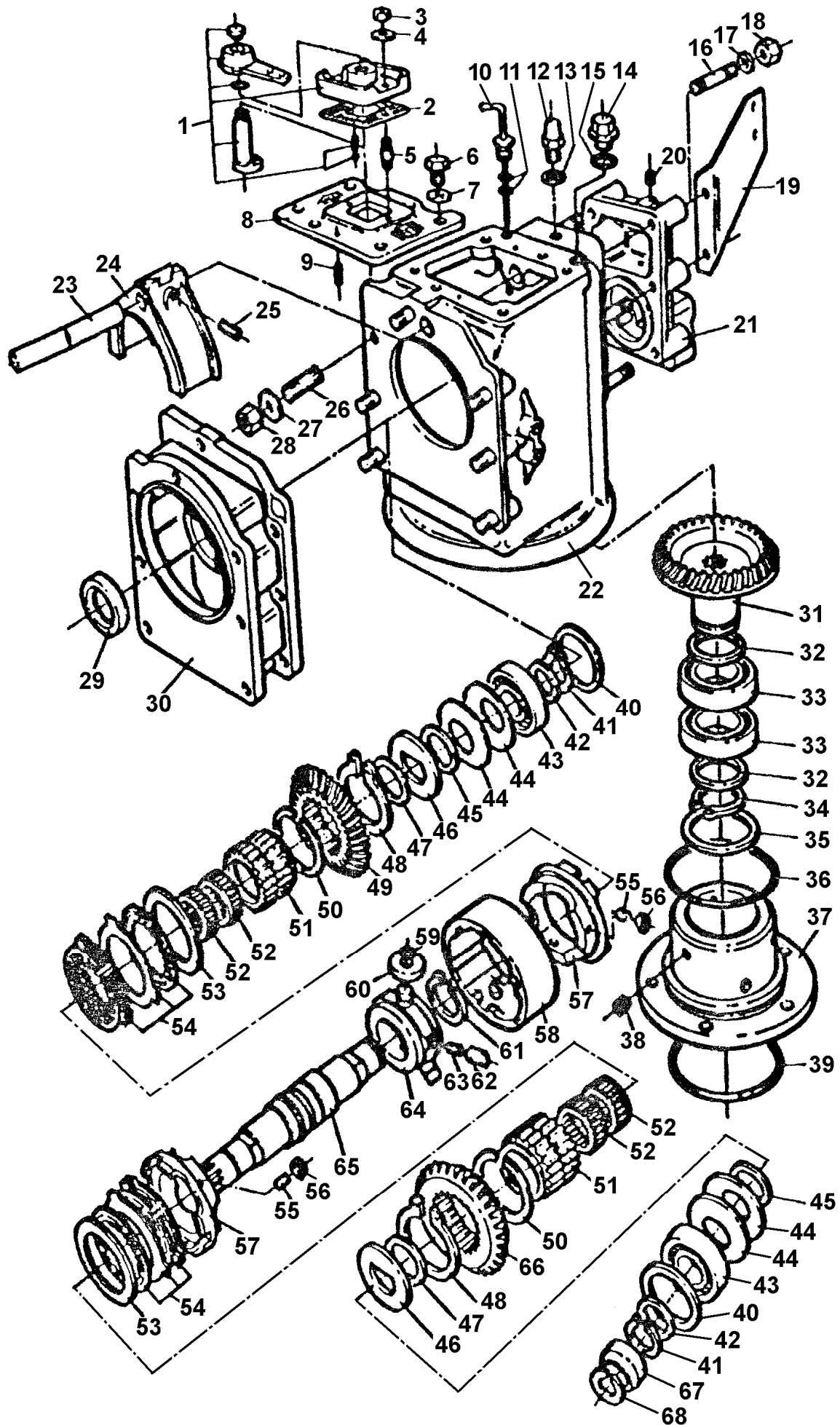
009W1210



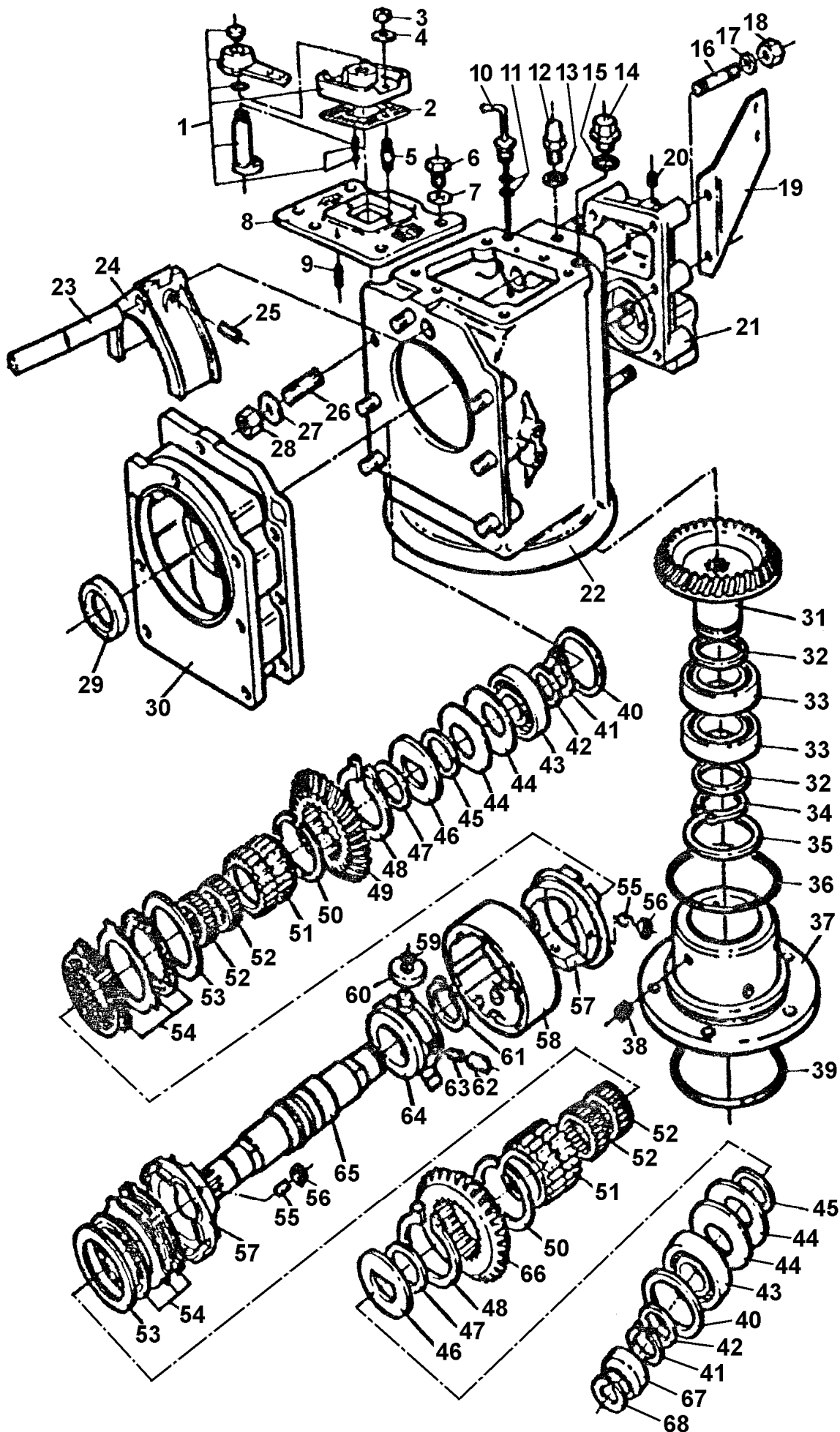
SAILDRIVE

020D5009

RESERVEDELSKATALOG
SPARE PARTS LIST
ERSATZTEILLISTE



Pos.	Part No.	Qty.	Beskrivelse	Description	Benennung
	020D5010		Sejldrev, øverste del	Saildrive, upper part	Saildrive, oberer Teil
1	620A1267	1	Skiftemekanisme	Shift mechanism	Schaltung, komplett
2	620A1230	1	Pakning	Gasket	Dichtung
3	510A1208	2	Møtrik, M8	Nut, M8	Mutter, M8
4	522C0223	2	Underlagsskive	Washer	Unterlagsscheibe
5	503N2363	2	Tapskrue	Stud	Stiftschraube
6	500C2365	6	Sætskrue, M8x25	Set screw, M8x25	Setzschraube, M8x25
7	522C1223	6	Underlagsskive	Washer	Unterlagsscheibe
8	000E5819	1	Dæksel, top	Cover, top	Deckel, oben
9	520H0304	2	Spændstift, ø4x10	Clamping pin, ø4x10	Federstift, ø4x10
10	008E5833	1	Pejlestok	Dip stick	Peilstock
11	560F1007	2	O-ring	O-ring	O-ring
12	620A0815	1	Udluftningshætte	Venting cap	Entlüftungskappe
13	522C3012	1	Pakning	Gasket	Dichtung
14	000E3959	1	Lukkeskrue	Locking screw	Verschlusschraube
15	522C3033	1	Pakning	Gasket	Dichtung
16	503M2369	6	Tapskrue, M8x45	Stud, M8x45	Stiftschraube, M8x45
17	522C1223	6	Underlagsskive	Washer	Unterlagsscheibe
18	510A1208	6	Møtrik, M8	Nut, M8	Mutter, M8
19	000E5801	1	Konsol for fjernbetjenig	Bracket for remote control	Konsole für Fernbedienung
20	504A0311	1	Lukkeskrue, M10x1	Locking screw, M10x1	Verschlusschraube, M10x1
21	000E5816	1	Dæksel, bagerste	Cover, rear	Deckel, hinter
22	000E5810	1	Gearhus	Gear housing	Getriebegehäuse
23	000E9427	1	Aksel for skiftegeffel	Shaft for shifter fork	Welle für Schaltgabel
24	000E9426	1	Skiftegeffel	Shifter fork	Schaltgabel
25	503C2309	1	Låseskrue	Lock screw	Verschlusschraube
26	503M2414	7	Tapskrue, M10x22	Stud, M10x22	Stiftschraube, M10x22
27	522C1225	7	Underlagsskive, ø10,5	Washer, ø10.5	Unterlagsscheibe, ø10,5
28	510A1209	7	Møtrik, M10	Nut, M10	Mutter, M10
29	561B0356	1	Tætningsring	Seal ring	Dichtring
30	000E5815	1	Mellemstykke	Intermediate piece	Zwischenstück
31	000E9414	1	Tandhjul	Gear wheel	Zahnrad
32	620A2260	*)	Passkive, 0,20	Washer, 0.20	Scheibe, 0,20
32	620A2261	*)	Passkive, 0,30	Washer, 0.30	Scheibe, 0,30
32	620A2262	*)	Passkive, 0,40	Washer, 0.40	Scheibe, 0,40
32	620A2263	*)	Passkive, 0,50	Washer, 0.50	Scheibe, 0,50
32	620A2264	*)	Passkive, 0,60	Washer, 0.60	Scheibe, 0,60
32	620A2265	*)	Passkive, 1,00	Washer, 1.00	Scheibe, 1,00
32	620A2266	*)	Passkive, 1,25	Washer, 1.25	Scheibe, 1,25
32	620A2267	*)	Passkive, 1,50	Washer, 1.50	Scheibe, 1,50
33	545E0182	2	Kugleleje	Ball bearing	Kugellager
34	522A1040	1	Sikringsring	Circlip	Sprengring
35	620A2280	*)	Passkive, 0,25	Washer, 0.25	Scheibe, 0,25
35	620A2281	*)	Passkive, 0,30	Washer, 0.30	Scheibe, 0,30
35	620A2282	*)	Passkive, 0,40	Washer, 0.40	Scheibe, 0,40
35	620A2283	*)	Passkive, 0,50	Washer, 0.50	Scheibe, 0,50
35	620A2284	*)	Passkive, 0,60	Washer, 0.60	Scheibe, 0,60
35	620A2285	*)	Passkive, 0,75	Washer, 0.75	Scheibe, 0,75
35	620A2286	*)	Passkive, 1,00	Washer, 1.00	Scheibe, 1,00
36	560S2104	1	O-ring	O-ring	O-ring
37	000E5820	1	Lejehus	Bearing housing	Lagergehäuse
38	501C2308	3	Pinolskrue	Pointed screw	Reitstockschrabe
39	560S2099	1	O-ring	O-ring	O-ring

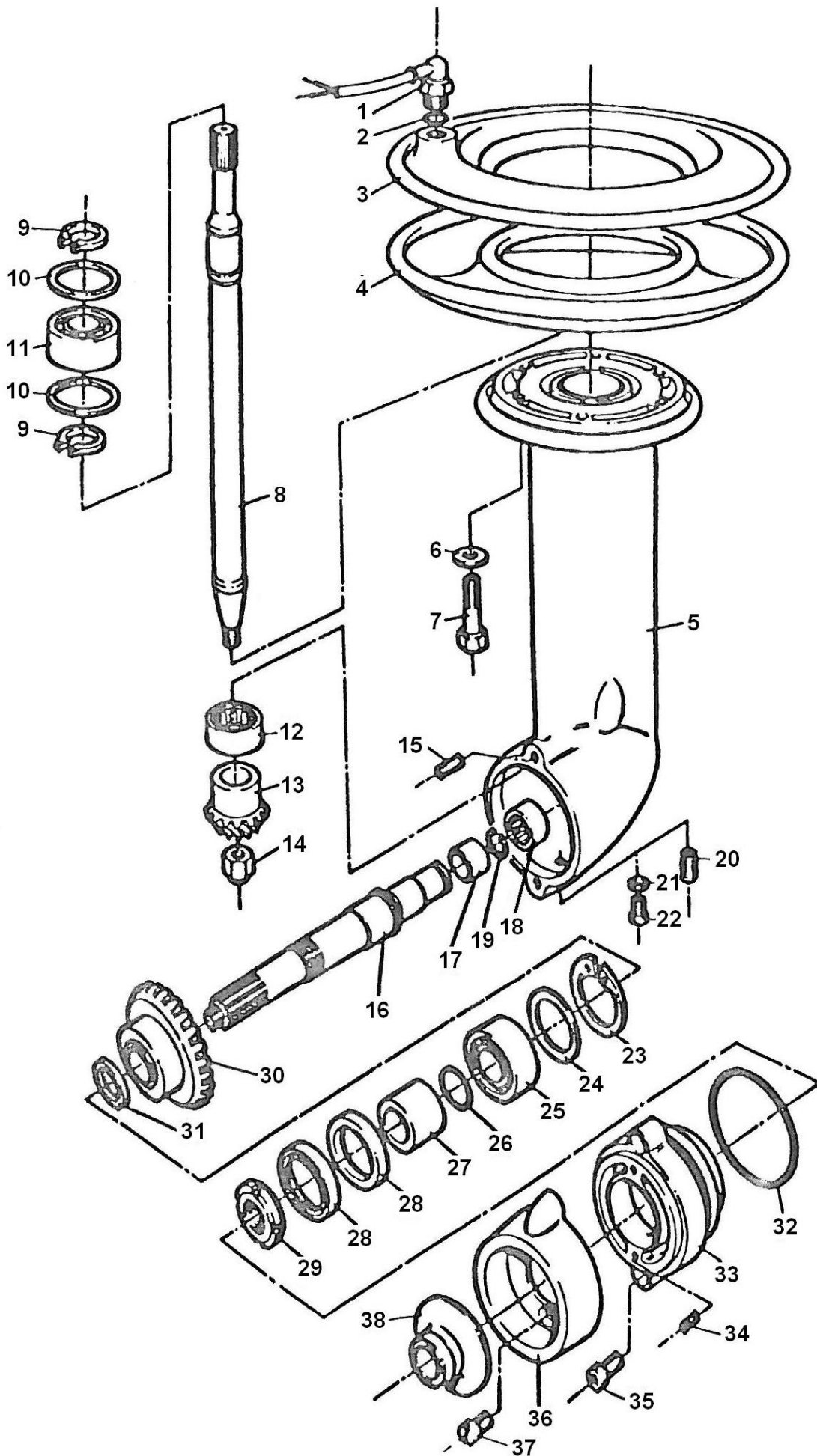


Pos.	Part No.	Qty.	Beskrivelse	Description	Benennung
40	620A2270	*)	Passkive, 0,25	Washer, 0.25	Scheibe, 0,25
40	620A2271	*)	Passkive, 0,30	Washer, 0.30	Scheibe, 0,30
40	620A2272	*)	Passkive, 0,40	Washer, 0.40	Scheibe, 0,40
40	620A2273	*)	Passkive, 0,50	Washer, 0.50	Scheibe, 0,50
40	620A2274	*)	Passkive, 0,60	Washer, 0.60	Scheibe, 0,60
40	620A2275	*)	Passkive, 0,75	Washer, 0.75	Scheibe, 0,75
40	620A2276	*)	Passkive, 1,00	Washer, 1.00	Scheibe, 1,00
41	620A1287	2	Sikringsring, 25x2	Circlip, 25x2	Sprengring, 25x2
42	000E9417	2	Skive 25,1x38,0	Washer 25.1x38.0	Scheibe 25,1x38,0
43	545E0002	2	Kugleleje	Ball bearing	Kugellager
44	620A2210	4	Tallerkenfjeder	Disc spring	Tellerfeder
45	000E9407	2	Skive 30,0x38,0	Washer 30.0x38.0	Scheibe 30,0x38,0
46	000E9073	2	Skive 30,5x50,0x3,0	Washer 30.5x50.0x3.0	Scheibe 30,5x50,0x3,0
47	620A2301	*)	Passkive, 0,1	Washer, 0.1	Scheibe, 0,1
47	620A2302	*)	Passkive, 0,2	Washer, 0.2	Scheibe, 0,2
47	620A2303	*)	Passkive, 0,3	Washer, 0.3	Scheibe, 0,3
47	620A2304	*)	Passkive, 0,4	Washer, 0.4	Scheibe, 0,4
47	620A2305	*)	Passkive, 0,5	Washer, 0.5	Scheibe, 0,5
47	620A2306	*)	Passkive, 0,6	Washer, 0.6	Scheibe, 0,6
47	620A2307	*)	Passkive, 0,7	Washer, 0.7	Scheibe, 0,7
47	620A2308	*)	Passkive, 0,8	Washer, 0.8	Scheibe, 0,8
47	620A2309	*)	Passkive, 0,9	Washer, 0.9	Scheibe, 0,9
47	620A2310	*)	Passkive, 1,0	Washer, 1.0	Scheibe, 1,0
47	620A2311	*)	Passkive, 1,1	Washer, 1.1	Scheibe, 1,1
47	620A2312	*)	Passkive, 1,2	Washer, 1.2	Scheibe, 1,2
47	620A2313	*)	Passkive, 1,3	Washer, 1.3	Scheibe, 1,3
47	620A2314	*)	Passkive, 1,4	Washer, 1.4	Scheibe, 1,4
47	620A2315	*)	Passkive, 1,5	Washer, 1.5	Scheibe, 1,5
47	620A2316	*)	Passkive, 2,0	Washer, 2.0	Scheibe, 2,0
48	620A2221	2	Seegerring	Circlip	Seegerring
49	000E9412	1	Tandhjul, bak	Gear wheel, reverse	Zahnrad, Rückwärts
50	620A2217	2	Springring	Spring ring	Klemmring
51	000E9411	2	Nav for tandhjul	Hub for gear wheel	Nabe für Zahnrad
52	620A2222	4	Nåleleje	Needle bearing	Nadellager
53	000E8818	2	Skive, 57,4x78,0	Washer 57.4x78.0	Scheibe 57,4x78,0
54	030D5008	2	Lamelpakke	Multiple disc coupling	Lamellenkupplung
55	000E9452	4	Bolt	Bolt	Bolzen
56	620A2225	4	Rulle	Roller	Rolle
57	000E9409	1	Trykring	Thrust collar	Druckring
58	620A1268	1	Glidemuffe	Sliding sleeve	Schiebhülse
59	620A2227	3	Springring	Spring ring	Klemmring
60	000E8984	3	Rulle	Roller	Rolle
61	522A1038	1	Seegerring	Circlip	Seegerring
62	620A1226	3	Fjederstyr	Spring guide	Federteller
63	620A2230	3	Fjeder	Spring	Feder
64	000E8989	1	Medbringer	Driver	Mitnehmer
65	000E9418	1	Indgangsaksel	Input shaft	Antriebswelle
66	000E9412	1	Tandhjul, frem	Gear wheel, ahead	Zahnrad, Vorwärts
67	000E9413	1	Slidring	Wearing ring	Gegenring
68	522A9250	1	Låsering	Locking ring	Schlossring

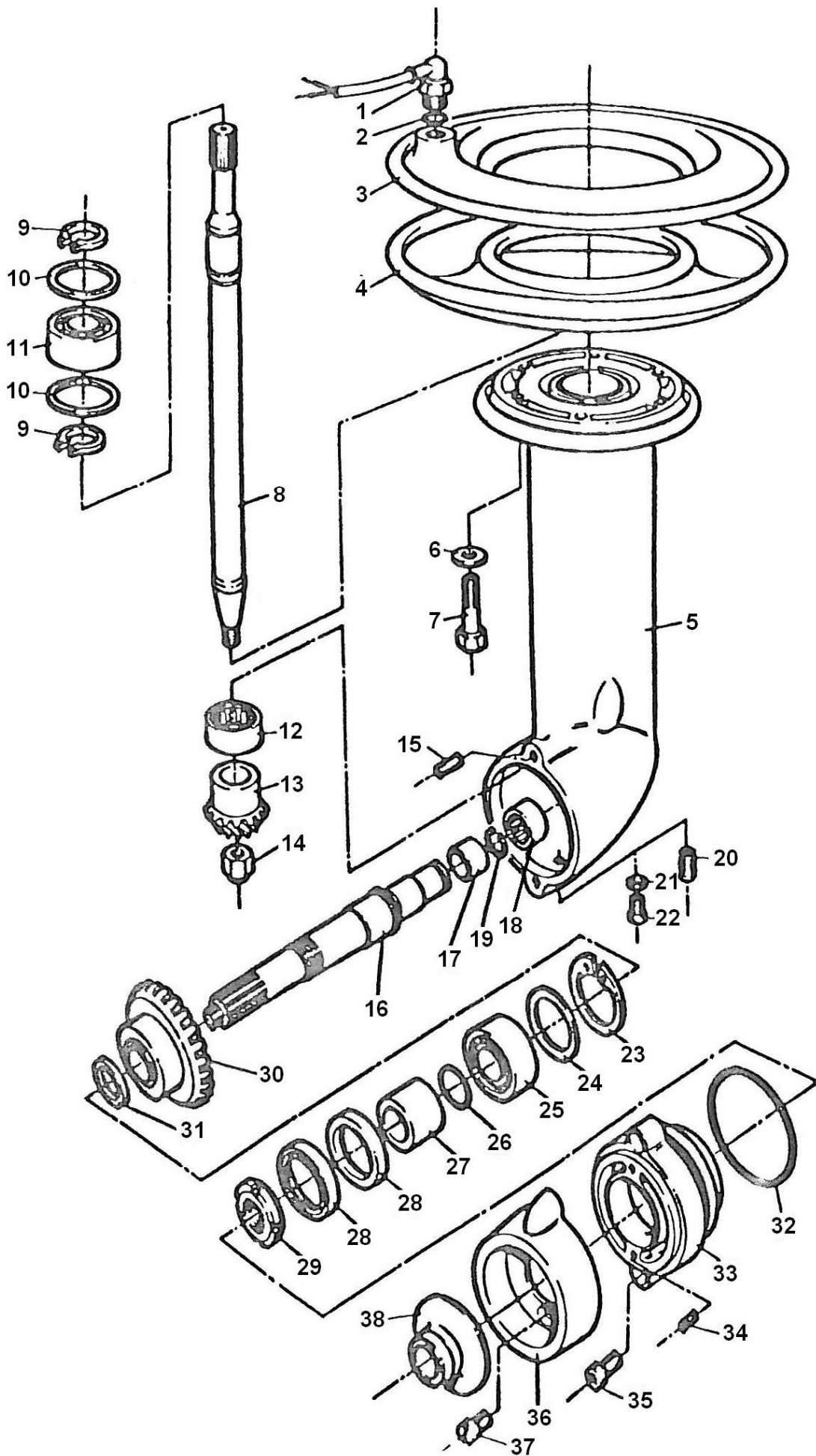
*) Efter behov

*) Acc. to requirement

*) Nach Bedarf



Pos.	Part No.	Qty.	Beskrivelse	Description	Benennung
	020D5014		Sejldrev, nederste del	Saildrive, lower part	Saildrive, unterer Teil
1	008E5838	1	Føler	Sensing element	Fühler
2	522C3023	1	Pakning	Gasket	Dichtung
3	008E5821	1	Membran, øverste	Membrane, upper	Membran, obere
4	008E5822	1	Membran, nederste	Membrane, lower	Membran, untere
5	008E5823	1	Propellerhus	Propeller housing	Propellergehäuse
6	522C4028	6	Underlagsskive	Washer	Unterlagsscheibe
7	500K2471	6	Maskinbolt, M12x55	Machine bolt, M12x55	Sechskantschraube, M12x55
8	000E6640	1	Mellemaksel	Intermediate shaft	Zwischenwelle
9	522A1030	2	Sikringsring	Circlip	Sicherungsring
10	620A2270	*)	Passkive, 0,25	Washer, 0.25	Scheibe, 0,25
10	620A2271	*)	Passkive, 0,30	Washer, 0.30	Scheibe, 0,30
10	620A2272	*)	Passkive, 0,40	Washer, 0.40	Scheibe, 0,40
10	620A2273	*)	Passkive, 0,50	Washer, 0.50	Scheibe, 0,50
10	620A2274	*)	Passkive, 0,60	Washer, 0.60	Scheibe, 0,60
10	620A2275	*)	Passkive, 0,75	Washer, 0.75	Scheibe, 0,75
10	620A2276	*)	Passkive, 1,00	Washer, 1.00	Scheibe, 1,00
11	545E1152	1	Kugleleje	Ball bearing	Kugellager
12	545V0049	1	Nåleleje	Needle bearing	Nadellager
13	000E9399	1	Tandhjul	Gear wheel	Zahnrad
14	511B2306	1	Låsemøtrik	Lock nut	Gegenmutter
15	515A2260	2	Helicoil	Thread spiral	Gewindespirale
16	000E5825	1	Skrueaksel	Propeller shaft	Propellerwelle
17	545V3322	1	Inderring	Inner collar	Innenring
18	545V0033	1	Nåleleje	Needle bearing	Nadellager
19	522A9516	1	Springring	Spring ring	Klemmring
20	515A2110	1	Helicoil	Helicoil, thread spiral	Helicoil, Gewindespirale
21	522C5010	1	Pakning	Gasket	Dichtung
22	502U2411	1	Kærsvkrue	Slotted screw	Schlitzschraube
23	522A0062	1	Sikringsring	Circlip	Sicherungsring
24	620A2270	*)	Passkive, 0,25	Washer, 0.25	Scheibe, 0,25
24	620A2271	*)	Passkive, 0,30	Washer, 0.30	Scheibe, 0,30
24	620A2272	*)	Passkive, 0,40	Washer, 0.40	Scheibe, 0,40
24	620A2273	*)	Passkive, 0,50	Washer, 0.50	Scheibe, 0,50
24	620A2274	*)	Passkive, 0,60	Washer, 0.60	Scheibe, 0,60
24	620A2275	*)	Passkive, 0,75	Washer, 0.75	Scheibe, 0,75
24	620A2276	*)	Passkive, 1,00	Washer, 1.00	Scheibe, 1,00
25	545E1152	1	Kugleleje	Ball bearing	Kugellager
26	560K1029	1	O-ring	O-ring	O-ring
27	000E5827	1	Afstandsrør	Distance pipe	Distanzrohr
28	561B0402	1	Tætningsring	Seal ring	Dichtring
29	000E5828	1	Akselmøtrik	Lock nut	Mutter
30	000E9398	1	Tandhjul	Gear wheel	Zahnrad
31	620A2250	*)	Passkive, 0,25	Washer, 0.25	Scheibe, 0,25
31	620A2251	*)	Passkive, 0,30	Washer, 0.30	Scheibe, 0,30
31	620A2252	*)	Passkive, 0,40	Washer, 0.40	Scheibe, 0,40
31	620A2253	*)	Passkive, 0,50	Washer, 0.50	Scheibe, 0,50
31	620A2254	*)	Passkive, 0,60	Washer, 0.60	Scheibe, 0,60
31	620A2255	*)	Passkive, 0,75	Washer, 0.75	Scheibe, 0,75
31	620A2256	*)	Passkive, 1,00	Washer, 1.00	Scheibe, 1,00
31	620A2257	*)	Passkive, 1,25	Washer, 1.25	Scheibe, 1,25
31	620A2258	*)	Passkive, 1,50	Washer, 1.50	Scheibe, 1,50



Pos.	Part No.	Qty.	Beskrivelse	Description	Benennung
32	560S1089	1	O-ring	O-ring	O-ring
33	030D5011	1	Dæksel inkl. helicoil	Cover incl. helicoil	Deckel ensckl. helicoil
34	515B2257	2	Helicoil	Helicoil, thread spiral	Helicoil, Gewindespirale
35	501G2415	2	Unbrakoskrue, M10x25	Unbraco screw, M10x25	Unbracoschraube, M10x25
36	000E5829	1	Zinkskærm	Zinc guard	Zinkschirm
37	502U2311	2	Kærviskrue	Slotted screw	Schlitzschraube
38	008E5830	1	Slyngskive	Throw-off washer	Ausrückscheibe
			*) Efter behov	*) Acc. to requirement	*) Nach Bedarf

BUKH DISTRIBUTORS – WORLDWIDE

<p>Fiala & Cia. S.R.L. Av. Presidente Roque Saenz Peña 710 Piso 3º "D" 1035 Buenos Aires ARGENTINA</p>	<p>Tel: +54-11-4328-1474 / 6280 Fax: +54-11-4328-2838 E-mail: fiala@arnet.com.ar</p>
<p>Bukh Diesel Australia Pty. Ltd. P.O. Box 448 Caringbah, N.S.W. 2229 AUSTRALIA</p>	<p>Tel: +61-2-9525-0011 Fax: +61-2-9526-1084 E-mail: sales@bukhdiesel.com.au Website: www.bukhdiesel.com.au Contact: Gary Townsend</p>
<p>Greenland Engineers & Tractors Company Ltd (GETCO) GPO Box 541 Dhaka 100 BANGLADESH</p>	<p>Tel: +880-2-812164 / 812175 Fax: +880-2-813319 E-mail: getco109@citechco.net Contact: Syed Taskin Saleheen, Assistant Manager</p>
<p>Shipyards – Northern Star Ltd Baza Himsnab 9181 Razdelna Port Varna West 8211 BULGARIA</p>	<p>Tel: +359-8882-80563 Fax: +359-5483-0090 E-mail: deian_tachev@yahoo.fr Contact: Deian Tachev, Manager</p>
<p>Crinmar 873 Apple Down Drive Kingston, Ontario K7P 1C7 CANADA</p>	<p>Tel: +1-613-634-8100 Fax: +1-613-634-8110 E-mail: crinmar@crinmar.com Contact: Keith A Strutt</p>
<p>Chile Services Management 1001 Francia Av. Valparaíso CHILE</p>	<p>Tel: +56-32-210766 / 211652 Fax: +56-32-228995 E-mail: andre.quint@csenchile.cl Website: www.csmchile.cl Contact: Andre Quint, Technical Manager</p>
<p>Fibronaval Calle General Lagos N° 1049 Valdivia CHILE</p>	<p>Tel: +56-63-210869 Fax: +56-63-208404 E-mail: fibronal@telsur.cl Contact: Jesús Brieva</p>
<p>Forwin Company Ltd, Qinhuangdao Office No 1-11, Nongken Building Shanhaiguan Development Zone Hebei CHINA 066206</p>	<p>Tel: +86-335-5082-500 Fax: +86-335-5085-036 E-mail: forwin@heinfo.net</p>
<p>Forwin Company Ltd, Beijing Office Room 504, No 6 Building, Graceful Garden 20 Shouti Nanlu Beijing CHINA 100044</p>	<p>Tel: +86-10-8835-5035 Fax: +86-10-8835-5036 E-mail: beijing@forwin.com.cn</p>
<p>Forwin Company Ltd, Shanghai Office Room 201, No 23, Lane 1299, Zhou jia zui Road Shanghai CHINA 200082</p>	<p>Tel: +86-21-6504-5055 Fax: +86-21-6504-49381 E-mail: forwin@uninet.com.cn E-mail: shanghai@forwin.com.cn</p>
<p>Forwin Company Ltd, Guangzhou Office Room 1701, Block B5, Fuli Plaza 8 Road Zhongshan, Liwan District Guangzhu, Guangdong CHINA 510140</p>	<p>Tel: +86-20-8135-6891 Fax: +86-20-8135-6896 E-mail: forwin88@public.guangzhou.gd.cn</p>
<p>Forwin Company Ltd, Tianjin Office Room 602, No 37 Xiaoyuan Xincun, Teda Tianjin CHINA 300457</p>	<p>Tel: +86-22-6620-1973 Fax: +86-22-6620-1509 E-mail: forwin@starinfo.net.cn</p>
<p>Forwin Company Ltd, Dalian Office 1-2-3, No 155, Xue Shi Street Zhon Shan District Dalian, Liaoning CHINA 116001</p>	<p>Tel: +86-411-2719-395 Fax: +86-411-2719-929 E-mail: forwin@public.dl.lnpta.net.cn</p>
<p>Forwin Company Ltd, Wuhan Office Room 2202, D. Tai Chang Flats 518 Jiefang Road, wuchang Wuhan, Hubei CHINA</p>	<p>Tel: +86-27-8885-1625 Fax: +86-27-8885-2147 E-mail: forwin@lol365.com</p>

Wei Marine Shanghai Co Ltd Room 19G, No 2000 Pudong Dadao Road Shanghai 200135 CHINA	Tel: +86-21-5132-7372 / 3 / 4 / 5 / 6 / 7 Fax: +86-21-5132-7368 E-mail: infor@wei-marine.com E-mail: weiwendong@263.net.cn
Imocom Ecuatoriana Cia. Ltda. Casilla 17-17-292 Quito ECUADOR	Tel: +593-2-447662 Fax: +593-2-447664 E-mail: imocom@uio.satnet.net Contact: Peter Bachmann
Dolphin Marine Co 66 Eltaweniate, Smouha Alexandria EGYPT	Tel: +20-3-4252179 Fax: +20-3-4252179 E-mail: dolphin@dataxprs.com.eg Contact: Hussien El Bagouri
Bukh Diesel (UK) Ltd. 24 Benson Road Nuffield Industrial Estate Poole, Dorset BH17 0GB ENGLAND	Tel: +44-1202-668840 Fax: +44-1202-660713 E-mail: bukhdiesel@izmail.com Website: www.bukh.co.uk Contact: Al Pearson, Norman Griffiths
Beta Group OÜ Rannamoisa tee 4 13519 Tallinn ESTONIA	Tel: +372-6-517-576 Fax: +372-6-517-575 E-mail: omar@paadimees.ee Contact: Omar Nelland
P/F Olivar Rasmussen 600 Saltangara FAROE ISLANDS	Tel: +298-447425 Fax: +298-448021
Dan Andersson Fma. Knappelstensvägen 8 22100 Mariehamn, Åland FINLAND	Tel: +358-18-22514 Fax: +358-18-23515 E-mail: dan@marin-diesel.com Website: www.marin-diesel.com Contact: Dan Andersson
Steyr Bukh Finland Meripellontie 11 C FIN-00910 Helsinki FINLAND	Tel: +358-10-774-5251 / 5253 Fax: +358-10-774-5259 E-mail: pekka.levanto@htlaser.fi E-mail: markku.antikainen@steyr-bukh.com Website: www.steyr-bukh.com Contact: Pekka Levanto
Pichavant Yachting Port de Plaisance 29730 Loctudy FRANCE	Tel: +33 2 98 87 40 50 Fax: +33 2 98 87 55 30 E-mail: contact@pichavant.com Website: www.pichavant.com Contact: Sébastien Le Bars
Bukh-Bremen GmbH Kornstrasse 243 28201 Bremen GERMANY	Tel: +49-421-535070 Fax: +49-421-556051 E-mail: info@bukh-bremen.de Website: www.bukh-bremen.de Contact: J.-D. Lampe, D. Lange
Viking Hellas Ltd 34 Asklipiou Street 185 45 Piraeus GREECE	Tel: +30-210-413-4341 / 4459 Fax: +30-210-419-0879 E-mail: info@vikinghellas.gr
Clouds International B.V. Handelsweg 5 a 3411 NZ Lopik HOLLAND	Tel: +31-348-551644 Fax: +31-348-550873 E-mail: info@clouds.nl Website: www.clouds.nl Contact: René Verzuu
Marland Technical Services Ltd Room 702, Fortress Tower 250 King's Road, Northpoint HONG KONG SAR, CHINA	Tel: +852-2571-9322 Fax: +852-2806-3153 E-mail: lifeboat@marland.com.hk Website: www.marland.com.hk Contact: Ken Hui, Director
R. Sigmundsson ehf Ánanaust 1 101 Reykjavik ICELAND	Tel: +354-580-5300 / 5320 Fax: +354-580-5301 E-mail: armann@rs.is Website: www.velasalan.is Contact: Ármann R. Ulfarsson

<p>Samarth Engineering 23, Dhumal House, 1st Carpenter Street C P Tank Mumbia 400 004 INDIA</p>	<p>Tel: +91-93-2228-8470 Fax: +91-22-2496-5574 E-mail: info@samarthgroup.com Contact: Sunil Shinde</p>
<p>Bukhindo c/o Mr Armansyah Jl. Pengadegan Barat II/6 Jakarta 12770 INDONESIA</p>	<p>Tel: +62-21-7973474 Fax: +62-21-7987294</p>
<p>Scandiesel Via Coloredo 14 28069 Trecate (NO) ITALY</p>	<p>Tel: +39-0321-777880 Fax: +39-0321-777959 E-mail: info@scandiesel.it Website: www.scandiesel.it Contact: Attilio Origo, Tiziana Dellerà</p>
<p>Mizuno Marine Co Ltd 1-12-15 Meishinguchi Toyonaka-City Osaka 561-0841 JAPAN</p>	<p>Tel: +81-6-6863-5233 Fax: +81-6-6863-5029 E-mail: mizuno@mizuno-marine.co.jp Website: www.mizuno-marine.co.jp Contact: Nobuyuki Shimazaki</p>
<p>BNS KOREA Co. #1388-14, Ok-Dong, Nam-Gu Ulsan KOREA</p>	<p>Tel: +82-52-249-1100 Fax: +82-52-249-1150 E-mail: bnskorea@empal.com Website: www.bnskoreaco.com Contact: J.H. Lee, T.Y. Kim</p>
<p>Forwin Company Ltd, Macau Office Estrada de sete Tanques, No 1441-D Edf. Cypress Court 11-Andar-B Taipa MACAU</p>	<p>Tel: +853-705110 Fax: +853-705113 E-mail: forwin@macau.ctm.net</p>
<p>Amenkay Teknik Sdn Bhd 2-3-26 Wisma Rampai Setapak, Kuala Lumpur 53300 MALAYSIA</p>	<p>Tel: +603-4142-6496 Fax: +603-4142-6497 E-mail: amenkay@tm.net.my Contact: Rafiee Ismail</p>
<p>La Valette Yacht Care Ltd 118, Santa Lucia Street Valetta VLT 09 MALTA</p>	<p>Tel: +356-21-245941 Fax: +356-21-245946 E-mail: ray@yachtcaremalta.com Website: www.maltayachtcare.com Contact: Ray Sciberras</p>
<p>Rouget Ltee Mariamen Temple Road Cap Malheureux MAURITIUS</p>	<p>Tel: +230-2626373 Fax: +230-2626643 E-mail: rouget@intnet.mu Contact: R Permall</p>
<p>Somabri 21, Boulevard Lahcen Ouidder Casablanca 20 200 MOROCCO</p>	<p>Tel: +212-2-2312056 / 2445014 Fax: +212-2-2445051 / 2443801 E-mail: kelmo@casanet.net.ma Contact: Khaddach el Mostafa</p>
<p>The Engine Room Limited 34 Enterprise Street P.O. Box 34-0132 North Shore City 0746 Auckland NEW ZEALAND</p>	<p>Tel: +64-9-480-2248 Fax: +64-9-480-2258 E-mail: theengineroom@xtra.co.nz Contact: Andy Winter</p>
<p>Univa AS Bedriftsveien 14 4841 Arendal NORWAY</p>	<p>Tel: +47-370-62050 Fax: +47-370-62051 E-mail: kr@univa.no Website: www.univa.no Contact: Svein Rasmussen / Kåre Rosland</p>
<p>Global Trade Link 97, Spotland Road Rochdale, Lancs OL12 6PQ United Kingdom Distributor for PAKISTAN</p>	<p>Tel: +44-1706-524764 Fax: +44-1706-526108 Contact: Faisal Rana, Managing Director</p>

Panama Marine Support Inc. P.O.Box 0831-02757 Paitilla Panamá REPUBLIC OF PANAMA	Tel: +507-224-5761 Fax: +507-224-5761 E-mail: service@panamams.com Contact: Emmanuel Rodriguez, Daysi Campbell
Tradex S.R.L. P.O. Box 34, Barranco Lima 4 PERU	Tel: +51-14-477772 Fax: +51-14-441981 Contact: Raúl Eguren
JCL J. Ciesielski Ltd 10, Wyspianskiego Str. 81-873 Sopot POLAND	Tel: +48-58-5516631 Fax: +48-58-5513966 E-mail: jcl@jcl.com.pl Contact: Jozef Ciesielski
CMA – Comérc. de Máquinas Agr. Lda. Polígono Industrial do Alto do Ameal 2565-641 Ramalhal PORTUGAL	Tel: +351-261-910030 Fax: +351-261-911119 Contact: Pedro Furtado, A. Teles
Triton Marine Industri Pte Ltd No 7, Toh Guan Road East 04-01 Alpha Industri Building SINGAPORE 608599	Tel: +65-6773-0623 / 6272-6500 Fax: +65-6273-7292 E-mail: j_s_ang@yahoo.com Contact: C.W. Ang
VM Power Marine P O Box 2692 Belville 7535 SOUTH AFRICA	Tel: +27-21-988-8495 / 8618 Fax: +27-21-988-8634 E-mail: vmpower@mweb.co.za Contact: Noel Muter
Jiménez Conesa S.L. Puerto Pesquero s/n 04002 Almería SPAIN	Tel: +34-950-258948 / 235952 Fax: +34-950-264926 Contact: Rafael Jiménez Boix
Náutica Toni Socias S.L. Plaza Navegación 6 07013 Palma de Mallorca SPAIN	Tel: +34-971-455641 Fax: +34-971-455890 E-mail: dinatec@dinatec.net Website: www.dinatec.net Contact: Antonio Socias
Industrial & Marine Development Co (Pvt) Ltd 9/3, #6, Rajakeeya Mawata Colombo 7 SRI LANKA	Tel: +94-1-685782 Fax: +94-1-685782 E-mail: imadco@slnet.lk Contact: Kithsiri De Silva
Bosö Motor AB Box 6053 181 06 Lidingö SWEDEN	Tel: +46-876-71940 Fax: +46-873-17169 Contact: Robin Carlsson
Marindiesel Blodboksgatan 26 426 74 V. Frölunda SWEDEN	Tel: +46-31-293-058 Fax: +46-31-694-111
Majnappe Motor AB Marieholmsgatan 60 415 02 Göteborg SWEDEN	Tel: +46-31-257-503 Fax: +46-31-842-205 Contact: Lennart Steiner
Min Sen Machinery Co, Ltd 777 Mahachai Road Wangburapapirom Pranakorn Bangkok 10200 THAILAND	Tel: +66-2-6211000 Fax: +66-2-6211049 / 2252877 E-mail: tawee@minsen.co.th Website: www.minsen.co.th Contact: Tawee Techatonyanon
Engine Tech Company Ltd 12 Mausica Street Arima, Trinidad TRINIDAD AND TOBAGO (Distributor for)	Tel: +1-868-667-7158 Fax: +1-868-667-0623 E-mail: enginman@tsst.net.tt Contact: Billy Dean
Société Equipements Automobiles Z.I Ben Arous 2013 Tunis TUNISIA	Tel: +216-71-383-258 Fax: +216-71-381-586 E-mail: samche.std@gnet.tn Contact: Riadh Cherif

<p>GEPA Fiberglass Tersane Yolu, Yan Sanayi Bölgesi Aydintepe (P O Box 7) Tuzla 81700 Istanbul TURKEY</p>	<p>Tel: +90-216-392-9396 Fax: +90-216-392-7758 / 2064 E-mail: info@gepafiberglass.com Website: www.gepafiberglass.com Contact: Alp Özalp, President</p>
<p>SOLAS Marine Services Co (L.L.C.) P O Box 25445 Dubai UNITED ARAB EMIRATES</p>	<p>Tel: +971-4-3241-700 Fax: +971-4-3241-804 E-mail: solas@emirates.net.ae Contact: P S Kamath, S Prabhu</p>
<p>Uruguayan Marine Safety Ltd Arturo Lezama 2228 11800 Montevideo URUGUAY</p>	<p>Tel: +598-2-924-6025 Fax: +598-2-924-4938 E-mail: wserve@ums.com.uy Website: www.ums.com.uy Contact: Alberto Zambrana</p>
<p>North Jersey Marine 215 Trimble Ave. Clifton, N.J. 07011 USA</p>	<p>Tel: +1-973-546-6377 Fax: +1-973-546-0510 Contact: Bob Bain</p>
<p>Waterway Diesel Center Inc. P.O. Box 97 Deale, Maryland 20751-0097 USA</p>	<p>Tel: +1-410-867-2182 / 301-261-5255 Fax: +1-410-867-3366 E-mail: wwaydc@toad.net Contact: Davis H. Craven</p>
<p>Alexander / Ryan Marine & Safety Co P O Box 9363 Houston, Texas 77261-9363 USA</p>	<p>Tel: +1-713-923-1671 Fax: +1-713-923-1972 E-mail: sales@alexanderryan.com Website: www.alexanderryan.com Contact: Lorna Barr</p>
<p>L.A. Maritime Services, Inc. 1500 Pier C Street Long Beach, CA 90813 USA</p>	<p>Tel: +1-562-951-1181 Fax: +1-562-951-1444 E-mail: info@la-maritime.com Website: www.la-maritime.com Contact: Sonia L. Brown</p>