



# ***alamarin-jet***

AJ 285 Technical Specification



***alamarin-jet***

The background of the bottom section is a photograph showing the wake of a boat on a blue ocean under a bright sky. The water is dark blue, and the wake is white and frothy. The horizon is visible in the distance.

Power	max. 368 kW/500hp
RPM	max. 3700 1/min
Vessel Displacement	max. 5,0 ton (per single jet, planing)
Unit Weight	148kg
Max Diameter of Impeller	288 mm

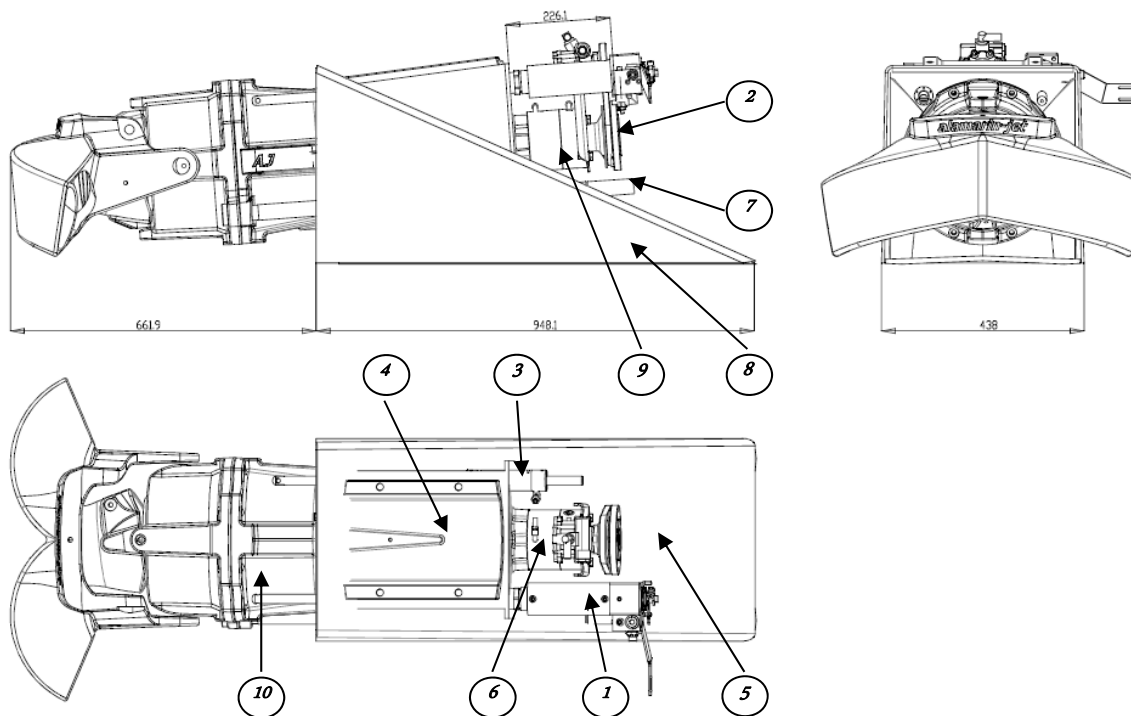
**Materials:**

Aluminium

High Grade Stainless Steel

Plastic





1. Reverse deflector hydraulic cylinder connection. Standard 33C cable fitting.

2. Input flange DIN-150. Adapter plates available for different intermediate shaft configurations.

3. Integrated hydraulic steering cylinder, compatible with common helm pumps.

4. Inspection hatch with removable insert. Extension collar available.

5. Integrated oil cooler for reverse deflector hydraulic system.

6. Integrated oil pump for reverse deflector control.

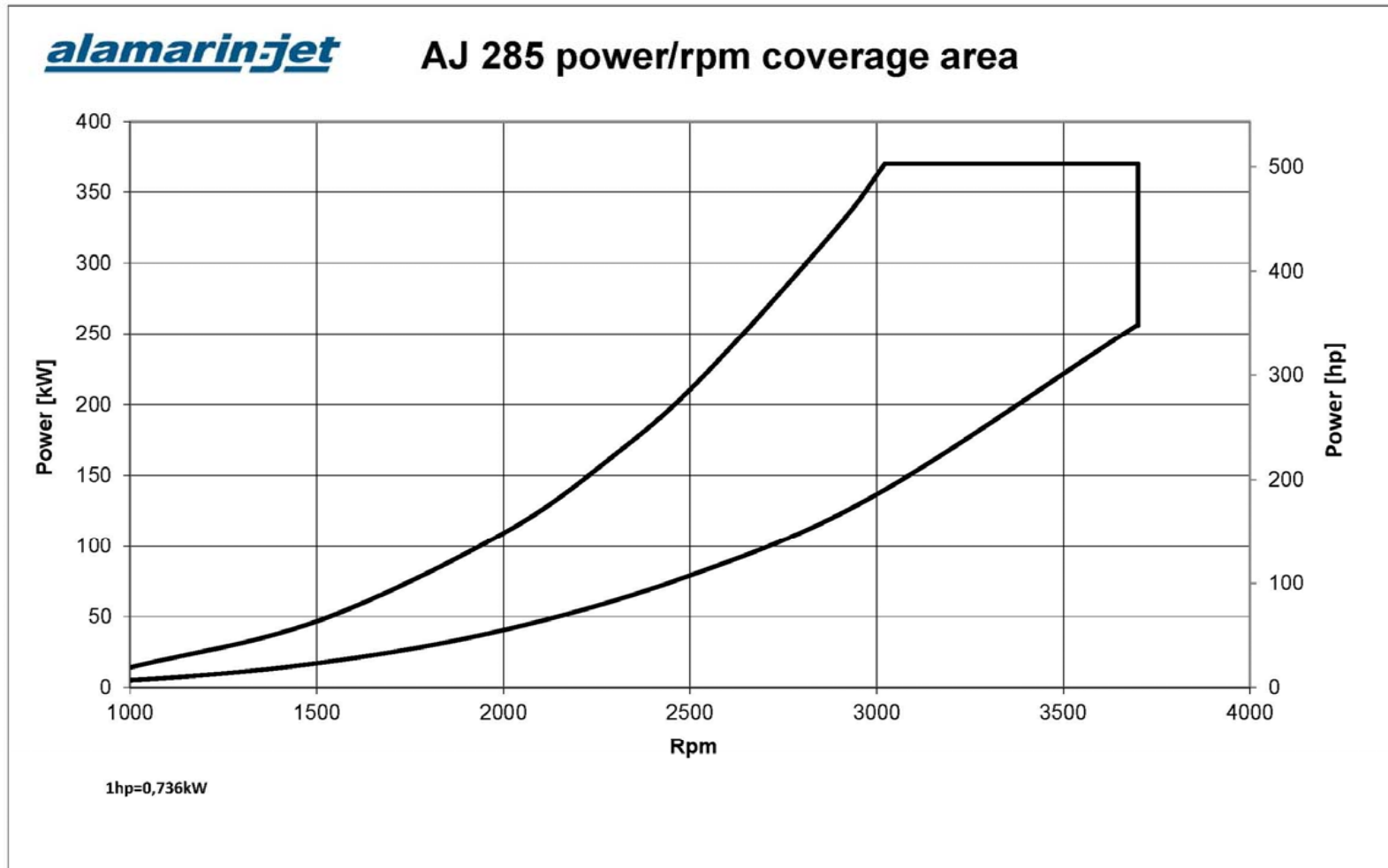
7. 3/4" BSP raw water intake

8. Combi-Frame for dual installation methods

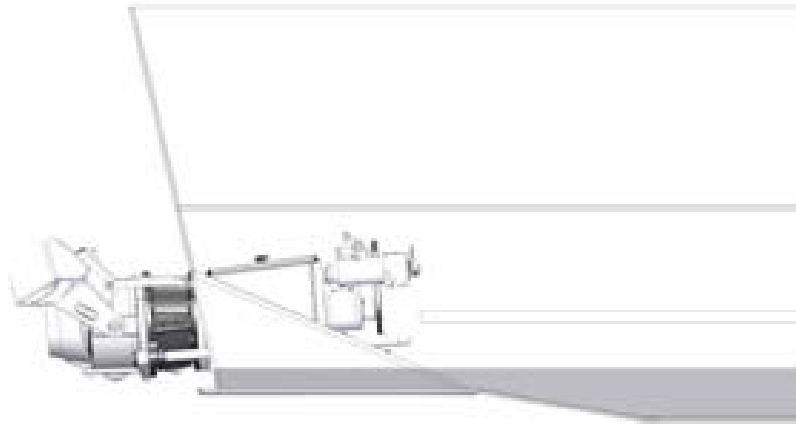
9. Oil lubricated front bearing carrying all axial and radial loads. Grease lubricated bearing in the rear end.

10. Conical impeller duct with stainless steel liner.

Power / RPM Coverage Area



## Combi-Frame



### Long tail

- Increased space inside vessel, in particular engine room (similar to sterndrive)
- Inspection hatch outside the vessel; no danger of flooding the engine room and easily accessible

### Short tail

- Short length outside the vessel (more jet inside the engine room)
- Inspection hatch inside the vessel (extension collar available)

